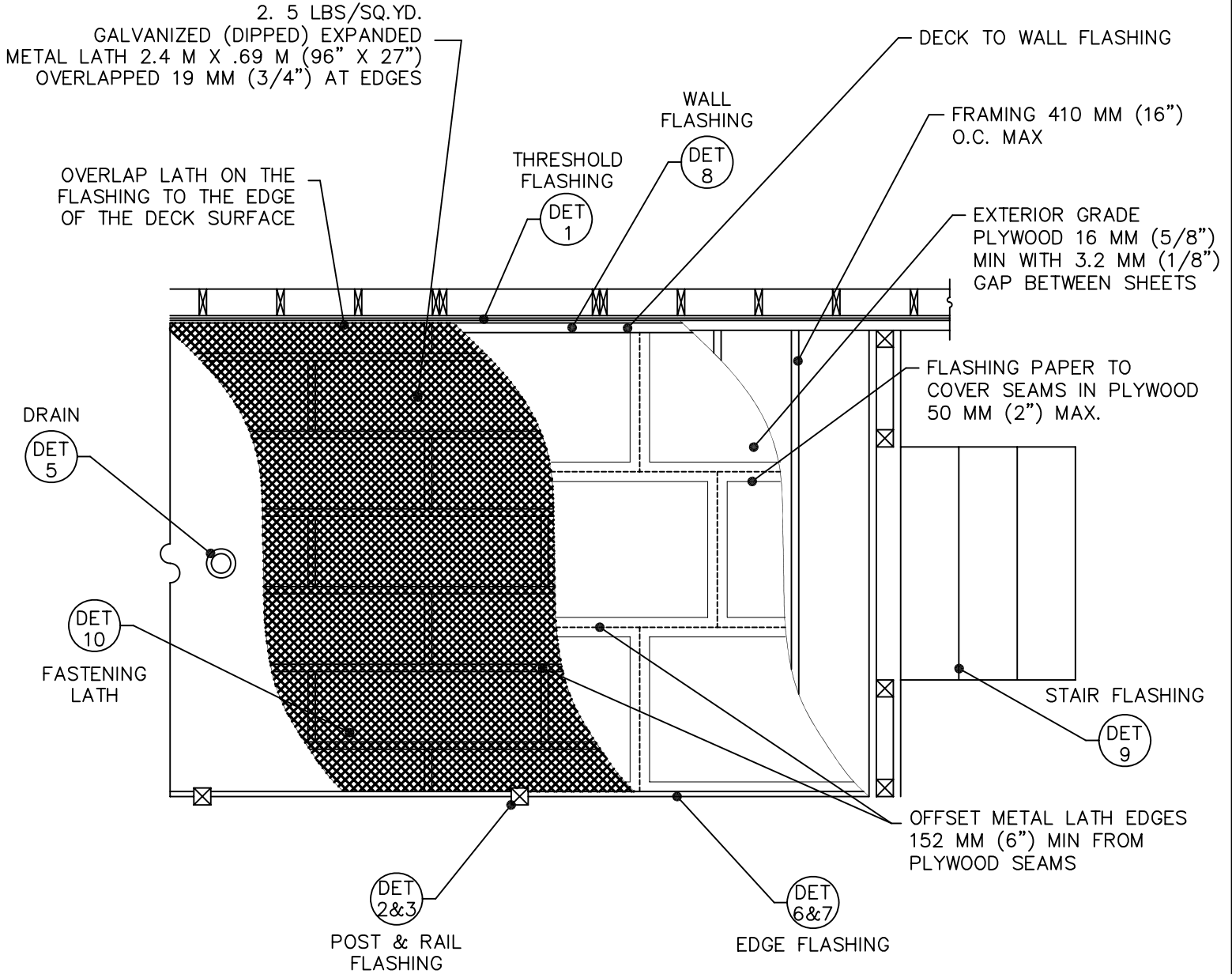


APPENDIX

DECK PLAN VIEW



The design, specifications, and construction of PLI-DEK products is the responsibility of the project's design professional. All systems must comply with local building codes and standards. This detail is for general information and guidance, only and PLI-DEK specifically disclaims any liability for the use of this detail, and for the architecture, design, engineering or workmanship of any project. This detail is subject to change without notice. Contact PLI-DEK to ensure you have the most recent version. These details are to be used in conjunction with current PLI-DEK specification & application guidelines.