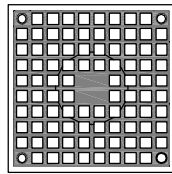
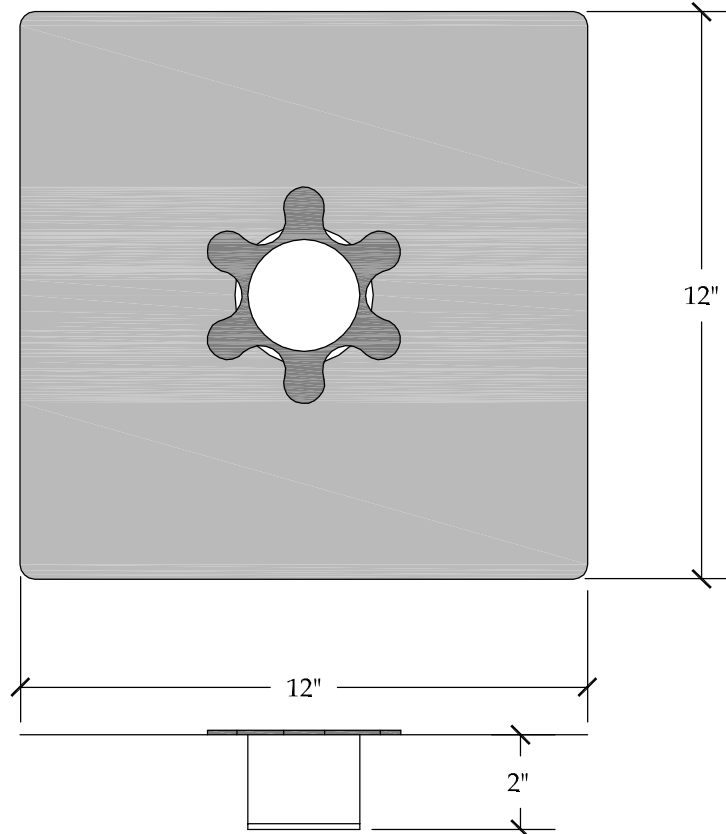
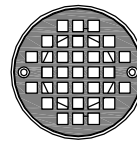


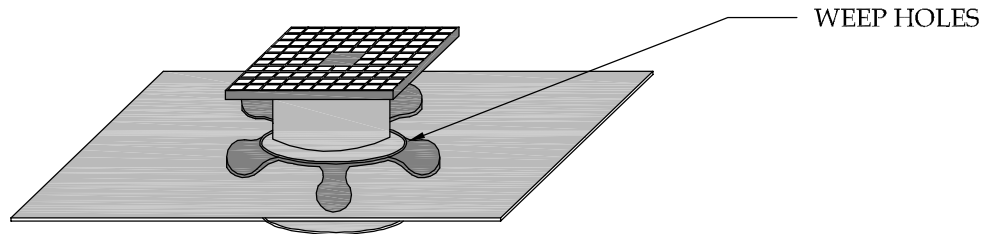
NOTE:
 AVAILABLE WITH 4" BRONZE
 ROUND GRATE, OR 5" x 5" NICKEL
 BRONZE SQUARE GRATE.
 ADJUSTABLE FROM 1"-3".



SQUARE GRATE



ROUND GRATE



DETAIL-ADJUSTABLE TILE DECK DRAIN

SCALE: N.T.S.



41610 Date St., Suite 104 * Murrieta, CA. 92562
 Phone: 800.364.0287 * Fax: 951.834.9555
 WWW.PLIIDEK.COM

These waterproofing procedures are not to be used for permit and should be reviewed by the project architect. The waterproofing procedures are not complete plans or specifications and a professional design professional should be contacted prior to performing major waterproofing and repairs.

System: Con-Dek System by Pji-Dek Systems, Inc. ICC-ES ESR-2097
 Detail: ADJUSTABLE TILE DECK DRAIN

Job:
 Date: 05-3-2013
 Dwn: H.K

Drawing Number:
 CD-12