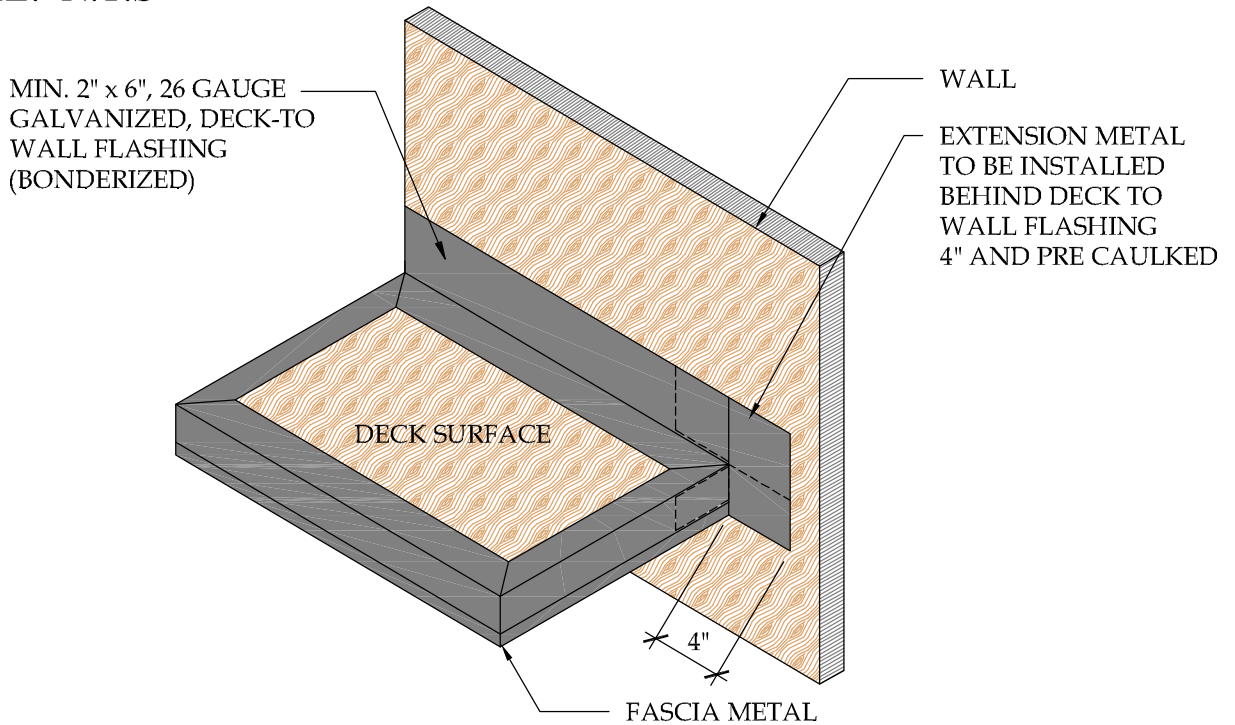


DETAIL-FASCIA TO WALL TO DECK FLASHING CORNER

SCALE: N.T.S



DETAIL-FASCIA TO WALL TO DECK FLASHING INTERSECTION

SCALE: N.T.S



41610 Date St., Suite 104 * Murrieta, CA. 92562
 Phone: 800.364.0287 * Fax: 951.834.9555
 WWW.PLIDEK.COM

These waterproofing procedures are not to be used for permit and should be reviewed by the project architect. The waterproofing procedures are not complete plans or specifications and a professional design professional should be contacted prior to performing major waterproofing and repairs.

System:		Pli-Dek System ICC-ES ESR-2097
Detail:		FASCIA TO WALL TO DECK FLASHING INTERSECTION
Job:		Drawing Number: PD-27
Date:	05-3-2013	
Dwn:	H.K	