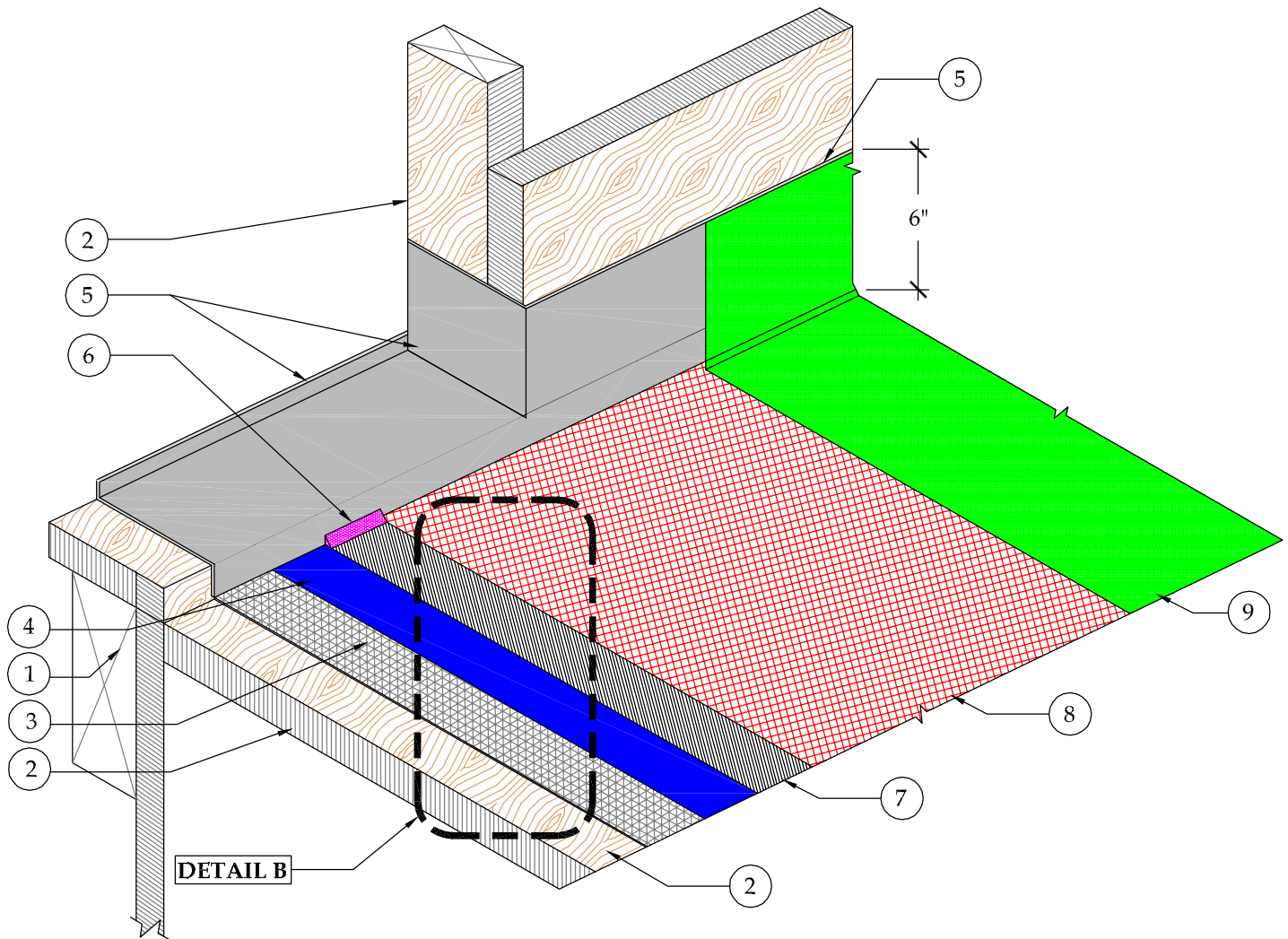


1. WOOD STUD FRAMING
2. PLYWOOD DECK
3. 2.5 METAL LATH
4. GU80 BASE COAT
5. MIN. 26 GA. GALVANIZED,  
FLASHING (BONDERIZED)
6. ASTM C-920 POLYURETHANE  
SEALANT
7. 3/4 OZ. FIBERGLASS & PD RESIN  
(CONTACT PLI-DEK FOR  
REQUIREMENTS)
8. GU80 TOP COAT
9. GS88 PIGMENTED SEALER

**DETAIL B**  
**SCALE: N.T.S.**



**DETAIL-DOOR PAN FLASHING-ONE PIECE-ISOMETRIC**

**SCALE: N.T.S.**



41610 Date St., Suite 104 \* Murrieta, CA. 92562  
Phone: 800.364.0287 \* Fax: 951.834.9555  
WWW.PLIIDEK.COM

These waterproofing procedures are not to be used for permit and should be reviewed by the project architect. The waterproofing procedures are not complete plans or specifications and a professional design professional should be contacted prior to performing major waterproofing and repairs.

System:		Pli-Dek System ICC-ES ESR-2097	
Detail:		DOOR PAN FLASHING-ONE PIECE-ISOMETRIC	
Job:		Drawing Number:	
Date:	05-3-2013	PD-4	
Dwn:	H.K		