

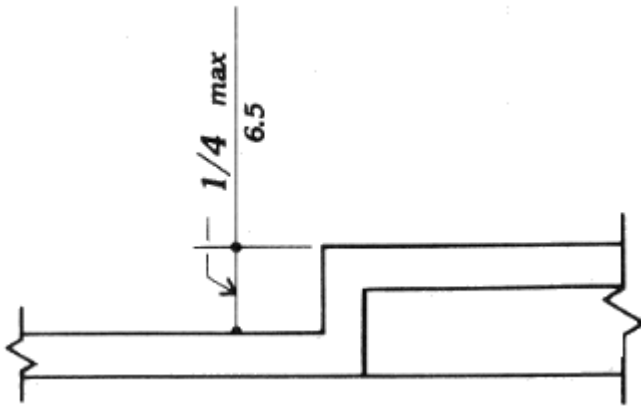
# CALIFORNIA ADA REGULATIONS

## DOORS - Thresholds

**4.13.8\* Thresholds at Doorways.** Thresholds at doorways shall not exceed 3/4 in (19 mm) in height for exterior sliding doors or 1/2 in (13 mm) for other types of doors. Raised thresholds and floor level changes at accessible doorways shall be beveled with a slope no greater than 1:2 (see **4.5.2**). **Appendix Note**

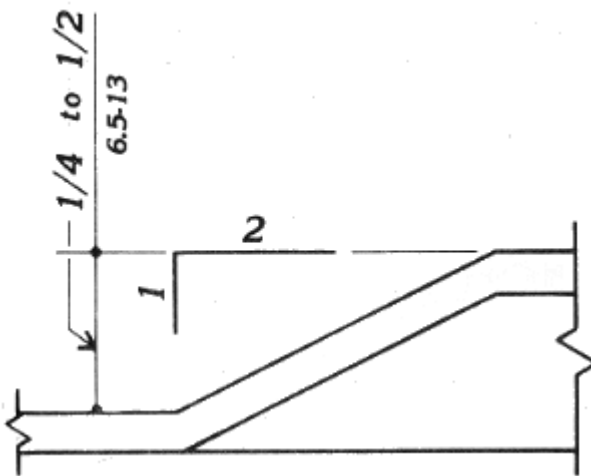
**A4.13.8 Thresholds at Doorways.** Thresholds and surface height changes in doorways are particularly inconvenient for wheelchair users who also have low stamina or restrictions in arm movement because complex maneuvering is required to get over the level change while operating the door.

**4.5.2 Changes in Level.** Changes in level up to 1/4 in (6 mm) may be vertical and without edge treatment (see **Fig. 7(c)**). Changes in level between 1/4 in and 1/2 in (6 mm and 13 mm) shall be beveled with a slope no greater than 1:2 (see **Fig. 7(d)**). Changes in level greater than 1/2 in (13 mm) shall be accomplished by means of a ramp that complies with **4.7** or **4.8**.



**Figure 7(c)**  
**Accessible Route**  
**Changes in level**

\*Cross section drawing showing a maximum 1/4 inch vertical change in level



**Figure 7(d)**  
**Accessible Route**  
**Changes in level**

\*Cross section drawing showing a change in level 1/4 to 1/2 inch high with a 1:2 slope.