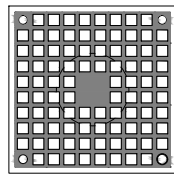
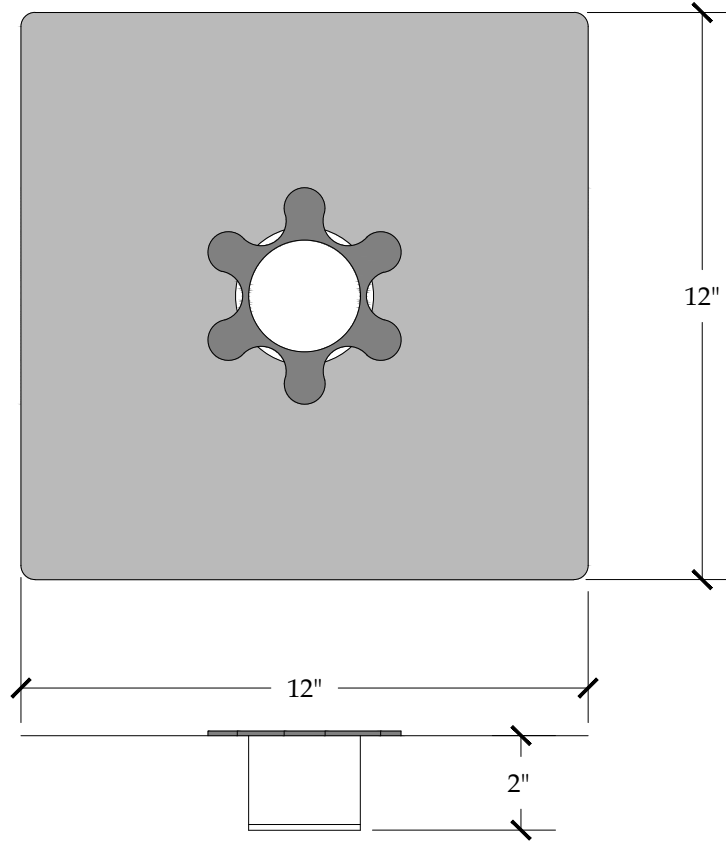
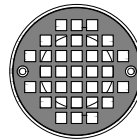


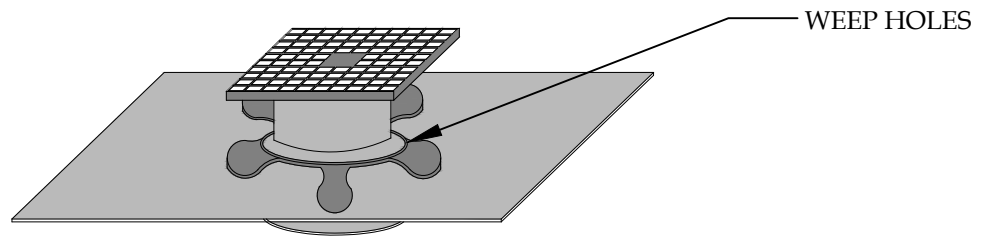
NOTE:  
 AVAILABLE WITH 4" BRONZE  
 ROUND GRATE, OR 5" x 5" NICKEL  
 BRONZE SQUARE GRATE.  
 ADJUSTABLE FROM 1"-3".



SQUARE GRATE



ROUND GRATE



DETAIL-ADJUSTABLE TILE DECK DRAIN-CONCRETE SUBSTRATE

SCALE: N.T.S.



**PLI-DEK**  
 WATERPROOFING SOLUTIONS  
 150 Dascomb Rd., Andover, MA 01810  
 Phone: 800.364.0287 \* Fax: 951.834.9555  
 WWW.PLIDEK.COM

These waterproofing procedures are not to be used for permit and should be reviewed by the project architect. The waterproofing procedures are not complete plans or specifications and a professional design professional should be contacted prior to performing major waterproofing and repairs.

System: Con-Dek System by Pli-Dek Systems, Inc.  
 ICC-ES ESR-2097  
 Detail: ADJUSTABLE TILE DECK DRAIN  
 CONCRETE SUBSTRATE

Job: \_\_\_\_\_  
 Date: 11/01/2020  
 Dwn: E.L.

Drawing Number:  
**CD-12**