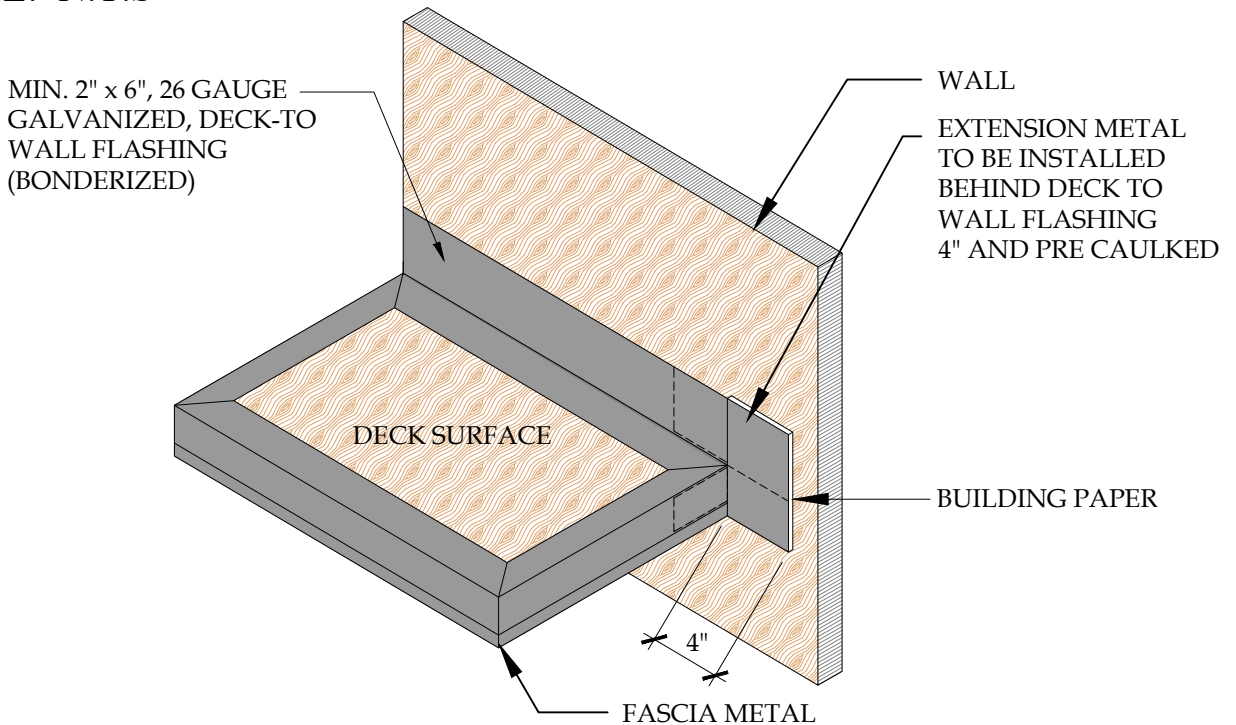


**DETAIL-FASCIA TO WALL TO DECK FLASHING CORNER**

SCALE: N.T.S



**DETAIL-FASCIA TO WALL TO DECK FLASHING INTERSECTION**

SCALE: N.T.S



These waterproofing procedures are not to be used for permit and should be reviewed by the project architect. The waterproofing procedures are not complete plans or specifications and a professional design professional should be contacted prior to performing major waterproofing and repairs.

System:		Pli-Dek System ICC-ES ESR-2097
Detail:		FASCIA TO WALL TO DECK FLASHING INTERSECTION
Job:		Drawing Number:
Date:	11/01/2020	PD-27
Dwn:	E.L.	