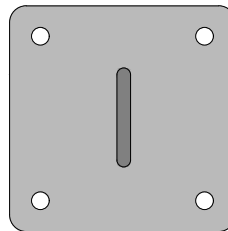


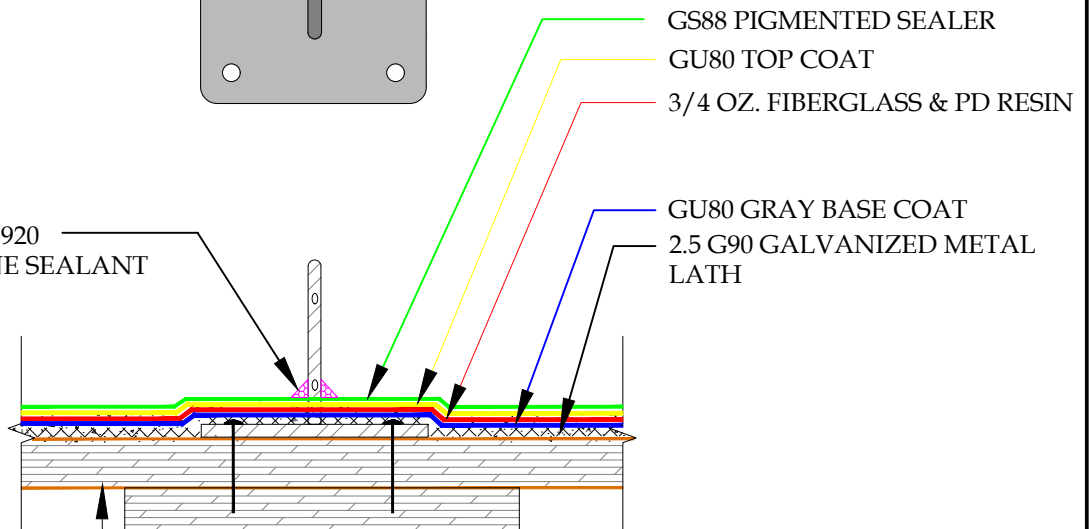
AXON VIEW

1. PLYWOOD DECK (SLOPED)
2. MOUNTING BRACKET
3. 2.5 G90 GALVANIZED METAL LATH
4. GU80 BASE COAT
5. 3/4 OZ. FIBERGLASS & PD RESIN
6. GU80 TOP COAT
7. GS88 PIGMENTED SEALER

PLAN VIEW



APPLY ASTM C-920
POLYURETHANE SEALANT



5/8" MIN. EXPOSURE 1 SHEATHING
(3/4" RECOMMENDED)
SLOPE AFTER 1/4" PER 12"

BRACKET TO BE SUPPORTED
BY BLOCKING UNDER THE
EXPOSURE 1 SHEATHING

DETAIL-WOOD DECK FINISH MOUNTING BRACKET-INCLEMENT WEATHER

SCALE: N.T.S.



These waterproofing procedures are not to be used for permit and should be reviewed by the project architect. The waterproofing procedures are not complete plans or specifications and a professional design professional should be contacted prior to performing major waterproofing and repairs.

System:		Pli-Dek System ICC-ES ESR-2097	
Detail:		WOOD DECK FINISH MOUNTING BRACKET INCLEMENT WEATHER	
Job:		Drawing Number:	
Date:	11/01/2020	PD-44-IW	
Dwn:	E.L.		