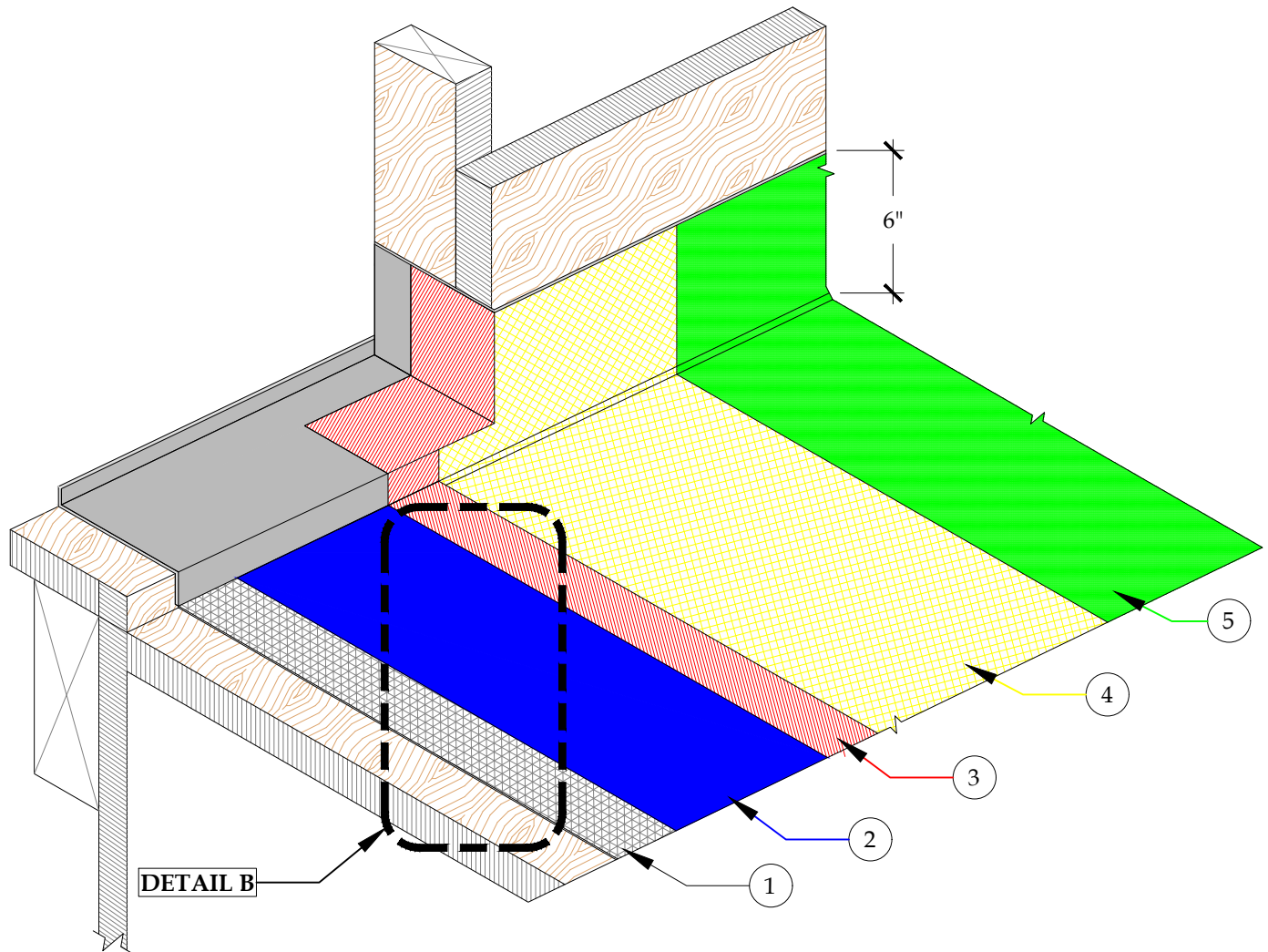


1. 2.5 G90 GALVANIZED METAL LATH
2. GU80 BASE COAT
3. 3/4 OZ. FIBERGLASS & PD RESIN
4. GU80 TOP COAT
5. GS88 PIGMENTED SEALER

DETAIL B  
SCALE: N.T.S.



DETAIL-DOOR PAN FLASHING-ONE PIECE-ISOMETRIC-INCLEMENT WEATHER  
SCALE: N.T.S.



**PLI DEK**  
WATERPROOFING SOLUTIONS  
41610 Date St., Suite 104 \* Murrieta, CA. 92562  
Phone: 800.364.0287 \* Fax: 951.834.9555  
WWW.PLIDEK.COM

These waterproofing procedures are not to be used for permit and should be reviewed by the project architect. The waterproofing procedures are not complete plans or specifications and a professional design professional should be contacted prior to performing major waterproofing and repairs.

System:		Pli-Dek System ICC-ES ESR-2097	
Detail:		DOOR PAN FLASHING-ONE PIECE-ISOMETRIC INCLEMENT WEATHER	
Job:		Drawing Number:	
Date:	04/01/2019	PD-4-IW	
Dwn:	E.L.		